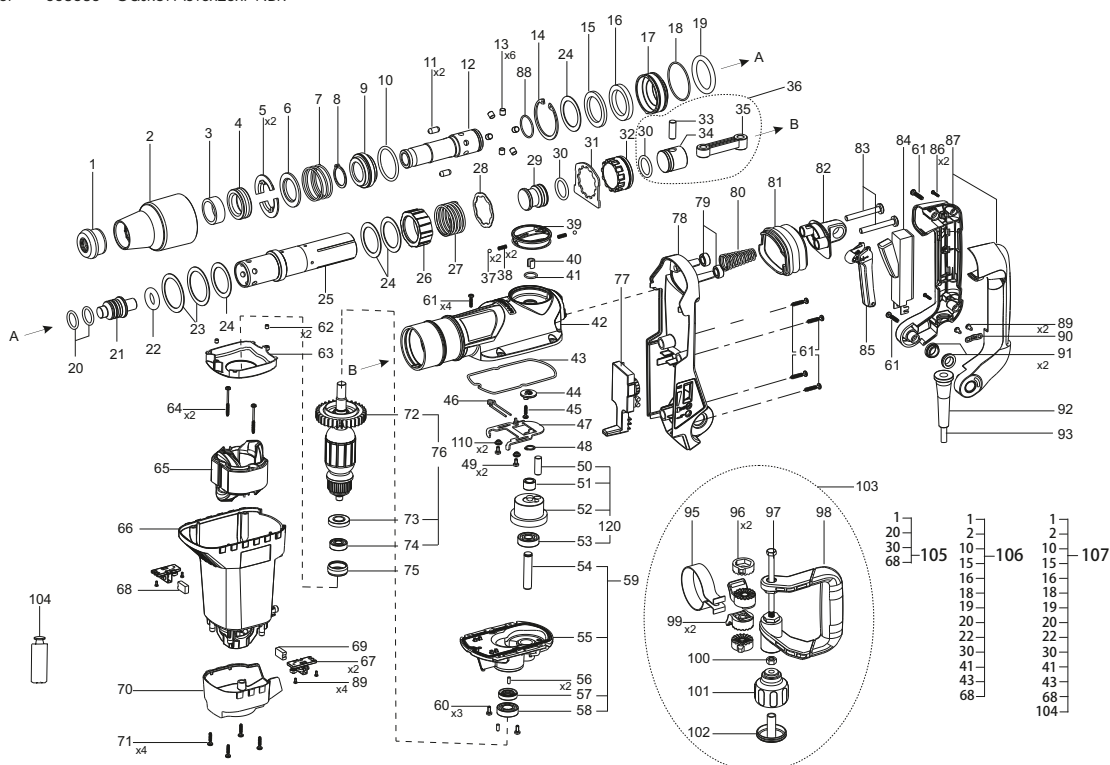


POS. No.	Ref.No.	Description	POS. No.	Ref.No.	Description
1	131082	Rubber bush	58	330853	Bearing 6002-2RS-P63 LDS18SpA
2	159474	SDS Cover	59	132757	Bearing shield set
3	131121	Elastic ring	60	361507	Screw J1-M4x10- MK
4	132795	Carrier ring	61	361370	Screw K5X25(D10) TORX 20
5	131085	Semiring	62	272961	Claming pin
6	131088	Backing ring	63	131918	Diffuser
7	131084	Spring	64	361368	Screw K 4X45/25 TORX 20
till 02.Apr.2012 - 8	330739	Circlip B30-2B	65	131915	Stator set
from 03.Apr.2012 to 14.Dec.2017 - 8	331260	Circlip B30	66	131917	Body
8	330994	Circlip A30	67	131923	Brush holder set
till 14.Dec.2017 - 9	132394	Locking ring	68	131076	Brush
9	132712	Locking ring	69	131966	Brush with a switch
10	330591	O-ring 46X4 NBR70	70	131922	Cover
till 14.Dec.2017 - 11	131089	Round cotter	71	361328	Screw K4x18 TORX 20
12	132393	SDS-Spindle	72	130960	Fan
12	132711	SDS-Spindle	73	131064	Protective washer
13	330606	Roller 8X8	74	330945	Bearing 6000 2RSL P63 LDS18SpA
14	330610	Circlip A60	till 20.Jun.2013 - 74	330953	Bearing 6000 2DDU P63LD18SpA
15	131047	Gasket	75	131952	Rubber bush
16	330609	Gasket AS40x55x7 NBR	76	131363	Armature set
17	131116	Front support	till 17.Jun.2014 - 76	132783	Armature set
18	330593	O-ring 56X2 NBR70	77	132774	Electronic block
19	330601	O-ring 45X7 NBR70	78	132785	Cover
20	331281	O-ring 21.82x3.53 - FPM70	79	131950	Tampon
21	132769	Intermediate stricker	80	131934	Spring
22	330663	O-ring 18X8 FPM70	81	131935	Gasket
23	132368	Spring Washer	till 19.Oct.2014 - 82	131933	Joint
24	131055	Spacer washer	82	148303	Joint
25	132355	Spindle	83	361391	Screw J2-M6x45
26	132338	Support	84	131079	Switch
27	131054	Spring	85	132779	Trigger set
28	132356	Spring Washer	86	361328	Screw K4x18 TORX 20
29	132768	Stricker	87	132782	Casing handle set
30	331282	O-ring 26x4 - FPM70	88	330350	O-ring 26X2 NBR70
31	132763	Rack	89	361360	Screw K 4X9.5 TORX 20
32	132765	Tooth coupling	90	256500	Cord clamp
33	131044	Pin	91	132150	Rubber bush
till 13.May.2018 - 34	132353	Piston	92	131939	Cord protector
34	13235302	Piston	93	158877	Cord with a plug RAL 3020
35	131009	Pitman	till 22.Nov.2016 - 95	132794	Bracket
36	132397	Piston set	95	149561	Bracket
37	330074	Pellet 5-200	96	148663	Wheel
38	115862	Spring	till 22.Nov.2016 - 96	185298	Disk with gap
39	159466	Switch knob	till 22.Nov.2016 - 97	185301	Hexagon head bolt M 8x130
40	132358	Felt	97	361492	Bolt
41	330335	O-ring 16X2B	98	148666	Main handle
42	132994	Gear box ass'y	till 22.Nov.2016 - 98	185302	Side handle
43	132771	Gasket	till 22.Nov.2016 - 99	132793	Vice
44	132366	Spring Washer	99	148661	Wheel
45	361328	Screw K4x18 TORX 20	till 22.Nov.2016 - 100	185304	Nut M8(THICKNESS 6.4mm)
46	132367	Spring	100	360173	Nut M8
47	132914	Fork	till 22.Nov.2016 - 101	132900	Nut
48	330483	Circlip B12	101	148665	Nut
49	132644	Screw	till 22.Nov.2016 - 102	132901	Cover
50	131044	Pin	102	148664	Cover
51	330125	Bearing HK 1212	till 24.Aug.2016 -103	132789	Front handle set
52	132762	Spindle gear	103	148667	Handle set
53	330264	Bearing 62012ZP63LDS18	104	131287	Tube of oil
54	132764	Axle	105	142152	First service pack K 615CE
55	132758	Bearing shield	106	159672	Second service pack K 615CE
56	115865	Pin	107	159673	Third service pack K 615CE
57	330608	Gasket AS15x28x7 NBR	110	132799	Space bush



142146

143761